

# GPS Vehicle Tracker (GPS+GSM+SMS/GPRS)

## GT06 User Manual (Version 3.2)



Thank you for purchasing the tracker. This manual shows how to operate the device smoothly and correctly. Please make sure to read this manual carefully before using this product. Please note that specification and information are subject to changes without prior notice in this manual. Any change will be integrated in the latest release. The manufacturer assumes no responsibility for any errors or omissions in this document.

## **1. Summary**

Working Based on existing GSM/GPRS network and GPS satellites, this product can locate and monitor any remote targets by SMS or internet.

Overview of the characteristics:

1. GSM 850/900/1800/1900MHZ.
2. GPS position.
3. Auto set APN.
4. 200Mah Battery inside, Power-Cut alarm.
5. Motion detect, save GPRS flow and power.
6. GEO-fence Alarm.
7. SOS Alarm.
8. Vibration Alarm.
9. ACC Alarm.
10. Speed Alarm
11. Voice Surveillance.
12. Voltage Range: DC 10-40V.
13. Enginee Cut off.

## 2. Accessories:

Power line:



Relay:



Microphone:



SOS line:



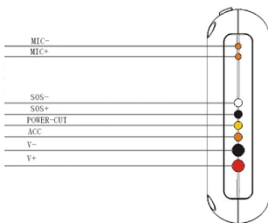
Manual



## 3. Specs

- 1) **.GSM:** 850/900/1800/1900MHZ
- 2) **.GPRS:** Class12, TCP/IP
- 3) **.Working Voltage:** 9-40V DC
- 4) **.Working current:**  $\approx 22\text{mA}$  (12VDC)
- 5) **.Working current:**  $\approx 12\text{mA}$  (24VDC)
- 6) **.GPS locating time:** Cold start $\approx 38\text{s}$  (Open sky)  
Warm start $\approx 32\text{s}$   
Hot start $\approx 2\text{s}$  (Open sky)
- 7) **.GPS Precision:** 10m (2D RM)
- 8) **.Working temperature:**  $-20^{\circ}\text{C} \sim +70^{\circ}\text{C}$
- 9) **.Working humidity:** 20%~80%RH
- 10) **.Measurement:** 98 (L)  $\times$  52 (W)  $\times$  16.5 (H) mm

## 4. Wire defined



## 5. Device status indicators

**5.1** Connect DC 9–40V power supply, push the switch (switch beside the SIM card holder), the red LED will light continuously.

**5.2** The blue LED light continuously when searching the GPS signal. Once GPS fixed, the blue LED will be flashing.

**5.3** The intermediate green LED (GSM signal state) GSM signal is normal, green LED flashing. No GSM signal, the green LED light continuously.

**5.4** If work normal, after 5 minutes, all LED go off.

All LED will turn off after 5 minutes. When there is a new call, the LED will relight and turn off 5 minutes.

## 6. Installation

### 6.1 Prepare for installation

**6.11** Product Check. Open the packing box and check the device' s model and accessories. If the model is wrong or the accessories not complete,

please contact the dealer.

**6.12** Choose SIM card. Please insert a SIM card which support GSM 2G network to the device. Please take dealer' s advice as reference.

**6.13** SIM card installation. Discharge the cover of the device and uncover the SIM card holder. Then insert the SIM card and cover SIM card holder (as follows).



**6.14** Open the cover, Push the switch. Then Put back the front cover.

**6.15** Connect the device to the 9-40V power supply.

**6.16** Install the device in the hidden place of the car;

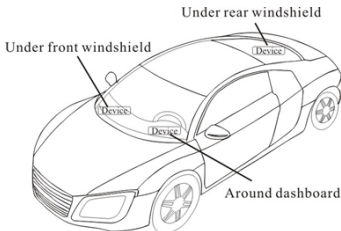
The SIM card must be with GPRS function and enough deposit. If your SIM card need input PIN when power on, please cancel it.

## 6.2 Installation

The GPS tracker must be installed under professional personnel.

Note:

1) Please install the device in the hidden place as followings:



- 2) Avoid being placed with signal radiators like reverse sensor ;
- 3) The device has GSM antenna and GPS antenna inside. Please ensure the receiving side of the device is face up and without metal cover.

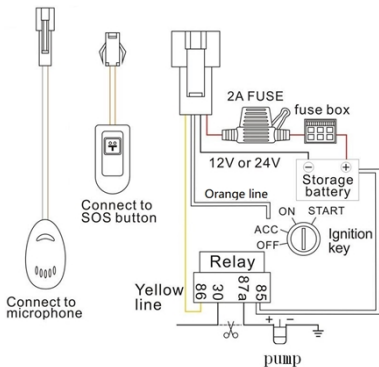
Note: The metal cover will lessen the receiving of GPS signals.

## 7. Device wiring requirements

**7.1** The device power supply is DC 9–40V. The red line is positive pole while the black line is negative pole.

**7.2** The negative pole of power supply connects with ground or the metals. Please do not connect with other ground lines.

**7.3** When finishing the power supply wire connection, please make the plug of power supply to the device.



## 8. The Device Working

**8.1 Power on:** Connecting to the power. Then the three LED indicators will light. The device will upload the data to the online platform (the

default interval of uploading data is 15seconds). When the car is in static state for a long time, the device will be in energy saving mode and it will be more smart and precise.

**8.2 Power off:** Pull off the power plug then power off the device.

## 9. User Settings

### 9.1 SMS Commands instruction

1) Center Number		
Text command	Parameter	Sample
CENTER Add	710#number#	710#13500135000#
	711#number#	711#13800138000#
CENTER Del	D01#	D01#
	D02#	D02#
Command Description	<p>1) Center number can control the oil and power and resume factory settings</p> <p>2) Center number can receive the call and text of vibration alarm and over speeding alarm.</p> <p>3) SIM must display the income call number to control oil and power.</p> <p>4) Only 2 number can be center number.</p> <p>5) Change center number must resend the command.</p> <p>6) Add new center number by CETNER, A, and delete</p>	

	by CENTER, D
Command	Successful Setting: Add admin account 1 OK!
Feedback	

2) View Center Number		
Text command	Parameter	Sample
View	901#	901#
Command	This directive is used to view Device Manager	
Description	number.	
Command	Successful Setting: Admin1:	
Feedback	Admin2:	

3) Authorized Number Set		
Text command	Parameter	Sample
Authorized	101#number#	1: 101#13800138000#
Add	102#number#	2: 102#12345678912#
	103#number#	3: 103#12345678912#
Authorized	D11#	D11#
Del	D12#	D12#
	D13#	D13#
Command	1) Authorization number for SMS control oil.	



Description	<p>2) Only three numbers to set the authorization number</p> <p>3) Change the authorization number needs to delete the previous number</p>
Command	Successful Setting : Add Authorization
Feedback	account 1 OK!

4) View Authorized Number		
Text command	Parameter	Sample
View authorized	C10#	C10#
Command Description	This directive is used to view the equipment authorization number	
Command Feedback	<p>Successful Setting:</p> <p>Authorization 1:</p> <p>Authorization 2:</p> <p>Authorization 3:</p>	

5) <b>APN Setting</b>		
Text	Parameter	Sample

command		
APN Setting	802#username#password#	1: 802#intenet#123#123#  2: 802#internet#
Command Description	APN differs according to the local telecom operators.  For example: APN request password, please refer to Sample 1, and Sample 2 for no password.	
Command Feedback	Successful Setting: SET APN OK!	

6) Set Server		
Text command	Parameter	Sample
SERVER Parameter	803#SERVER#port#	1. 803#gps.dyegoo.net#6100#  2: 803#47.90.39.27#6100#
View SERVER	CIP#	1) CIP#
Command Description	Change the IP and port when move to a new server  port: 10~65535	
Command Feedback	Successful Setting: set IP OK!	

## 7) Moving Time Interval

Text command	Parameter	Sample
TIMEER  Parameter  setting	730#uploading interval#	730#20#
Command  Description	Scope: 0, 10~60 seconds; 0, no data uploading; 10~60, means time interval; the default value is 15 seconds.	
Command  Feedback	Successful Setting: SET TIMER OK!	

## 8) Static Time Interval

Text command	Parameter	Sample
STATIC	SUP#time interval#	SUP#5#
Command  Description	Scope: 1~60 minutes; The default time interval is 5 minutes.	
Command  Feedback	Successful Setting: SET STATIC TIME OK!	

### 9) Cancel the continuous upload

Text command	Parameter	Sample
NUP	NUP#	NUP#
Command Description	This command is used to cancel sending data to the platform  If need again to restore the upload , you need to send TIMEER Parameter setting.	
Command Feedback	SET OK!	

### 10) Oil-Cut

Text command	Parameter	Sample
RELAY Parameter1	222#	222# Cut off oil and power
RELAY Parameter2	333#	333# Recover oil and power

Command Description	<p>1)RELAY control the start and closeness of the relay</p> <p>2) Only the center number can operate.</p> <p>3) The device only cut off the oil circuit on the condition of the driving speed below 20KM/H or in static state.</p> <p>4)When send the command, the device will reply 'please waiting' When the vehicle speed is over 20KM/H, the device will cut off the oil or the power when the speed below 20KM/H.</p>
Feedback	Successful Setting: Fuel cut has already been completed OK!

11) GMT		
Text command	Parameter	Sample
GMT	801#location, time#	801#E8#
Command Description	The default time zone is Beijing time. If time zone need revised, please operate according to the above command.	
Command Feedback	Successful Setting: Set time zone ok!	

12)Vibration Alarm		
Text command	Parameter	Sample
Open Vibration Alarm	911#	911#
VIBRATION Parameter	123#sensitivity#alarming way#	1) 123#2#3#
Set into vibration alarm time	V123#2#	1) V123#2# 2) V123#1#
Cancel vibration alarm	456#	456#
Command Description	<p>The sensitivity value of the vibration is from 1 to 5, 1 is the most sensitive and 5 is the least sensitive and 0 is close. Alarming ways: 1, calling 2, texting, 3 Calling and texting.</p> <p>Need set the center number and receiving number.</p>	
Command Feedback	Set vibration alarm level, OK!	

13) Speed Alarm		
Text command	Parameter	Sample
SPEEDING  Parameter	SSA#speed#alarm way#  Or 667# speed#alarm way#	1) SSA#120#  2) SSA#150#3#  1) 667#120#  2) 667#150#3#
Command  Description	<p>The speed scope is form 60-220, if the speed is not in this cope, the alarm is off.</p> <p>Alarming : 1. calling, 2. texting, 3. calling and texting.</p> <p>Need set the center number and receiving number.</p>	
Command  Feedback	Successful Setting: set speeding alarm, OK!	

14) ACC Alarm		
Text command	Parameter	Sample
Open ACC  Alarm	840#1#	840#1#

Close ACC  ALARM	840#0#	
------------------------	--------	--

15) <b>Reset</b>		
Text command	Parameter	Sample
RESET	930#	930#
Command Description	Reset the device	
Feedback	Successful Setting: Reset system, ok!	

16) <b>Factory</b>		
Text command	Parameter	Sample
Parameter	940#	940#
Description	Restore the factory setting  Only center number can initial this function  Factory setting will recover to the original setting	
Feedback	Successful Setting: FACTORY OK!	



17) <b>Language Setting</b>		
command	Parameter	Sample
LANG	LANG1#	LANG1# 1:CHINESE,
Parameter	LANGO#	LANGO#: ENGLISH
Command Description	When check the location, it will reply the Chinese location in Chinese language setting; while reply the URL link when in English language setting.	
Feedback	Successful Setting: SET LANG OK!	

18) <b>GEO-fence Setting</b>		
Text command	Parameter	Sample
Setting	920#radius#way#	920#1#2#
Cancel	921#	921#
Command Description	Setting Geo-fence alarm, radius from 1-100, Unit: 100 meter. Alarming : 1, calling 2, texting Out Geo-fence 1 time, the Geo-fence canceled.	
Feedback	Set <b>Enclosure-2</b> OK / Cancel <b>Enclosure</b> OK	

## 19) Position

Text command	Parameter	Sample
command	988#	988#
Command Description	Check the longitude and altitude and other information of the device	
Command Feedback	Reply with longitude and altitude, speed and IMEL.	

## 20) Google Link

Text command	Parameter	Sample
command	666#	666#
Command Description	Check the location link of Google map	
Command Feedback	<p>&lt;Datetime:12-07-05 13:21:30&gt;</p> <p><a href="http://maps.google.com/maps?q=N22.540885,E113.95265">http://maps.google.com/maps?q=N22.540885,E113.95265</a></p>	

## 21) Version

Text command	Parameter	Sample
VERSION	V00#	V00#
Command Description	The command is to check the software version	
Command Feedback	VERSION:XXXX BUILD:2012-07-05 10:12	

## 22) Param Check

Text command	Parameter	Sample
PARAM	886#	886#
Command Description	The command is to check the settings and the default parameter.	
Command Feedback	IMEI:351190012535936 APN : cmnet IP:IP and port TIMER: moving uploading interval STATIC: static uploading interval CENTER: center number LANG: language (CN/EN)	

	GMT: time zone (E/W8)
--	-----------------------

### 23) Status Check

Text command	Parameter	Sample
STATUS	902#	902#
Command Description	The command is designed for checking the device' s working status.	
Command Feedback	External power:ON/OFF GSM Signal:HIGH/MIDDLE/LOW GPS:FIXED/UNFIXED RELAYER:DISABLE/ENABLE Vibrate Warning:ON/OFF	

### 24) Monitor (Voice Surveillance)-CALL BACK(default)

command	Parameter	Sample
SSS#	SSS#	SSS#
Description	Using Command Send this command to the tracker' s number, the tracker will call back to admin number.	

## 25) Monitor (Voice Surveillance)-CALL

command	Parameter	Sample
Open Calling mode	SS1#	SS1#
Return to Call back	SS0#	SS0#

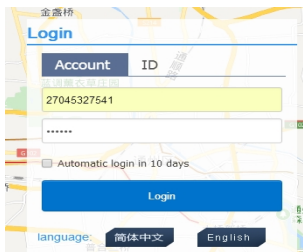
### 9.2 Platform

Website: <http://www.dyegoo.net>

Login as Account or ID, Account is same as ID(IMEI last 11bits),ID is in the label on the tracker.

Enter ID(IMEI last 11bits)

Password:123456



APP: Please search **DYEGOO** in Google store or Apple store.

Login as Account or ID, Account is same as ID (IMEI last 11bits), ID is in the label on the tracker.

Enter ID (IMEI last 11bits)

Password:123456

In production, IP, port have been set in, normally the tracker will be auto online, if the tracker offline, please set APN by SMS command.

**Please get APN from sim card inserted mobile operator.**

If you lost IP, port , please send below SMS command by center number to set them back:

803#gps2.dyegoo.net#6200#

## 10. Trouble shooting

**10.1** The device is not online or offline on the web platform.

**10.1.1** First, please check the three LED working state. If possible. You can call the device' s number to check.

- If not connected, the device is out of signal. If the GSM signals cannot reach your location, please drive to the open sky.
- If reminding the device SIM card is out of deposit, please make deposit by the telecom operator.
- If you can connect to the device when calling, the SIM card has deposited and please check with your operator for GPRS function. You also can check by searching the internet on your mobile phone.
- If reminding the device is power off, please turn back the device and proceed as followings:
  - a)Check if the red LED is in constant glow. If the LED is dark, please check the power connecting. If fuse is broken, please return the device to the seller.
  - b)If the green GSM LED is not in constant glow, please check the installation of SIM card.

**10.1.2** Please check the offline area in order to judge if the network problem of operators.

- 10.2** When GPS cannot receive the signals, please drive in the open sky and ensure there is no metal thins on the device.
- 10.3** When the device cannot receive the GSM signal, please check the SIM card installation. If the GSM signals cannot reach your location (such as the basement), please drive to the open sky.