

# GPS Vehicle tracker (GPS+GSM+SMS/GPRS)

## T3 User Manual (Version 3.0)



Thank you for purchasing the tracker. This manual shows how to operate the device smoothly and correctly. Make sure to read this manual carefully before using this product. Please note that specification and information are subject to changes without prior notice in this manual. Any change will be integrated in the latest release. The manufacturer assumes no responsibility for any errors or omissions in this document.

## **1. Summary**

Working Based on existing GSM/GPRS network and GPS satellites, this product can locate and monitor any remote targets by SMS or internet.

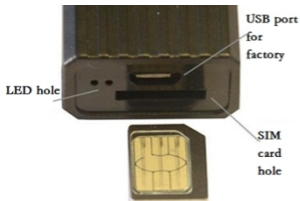
Overview of the characteristics:

- 1).GPS position.
- 2).GSM 850/900/1800/1900MHZ.
- 3).With Shock sensor.
- 4).Power-Cut alarm(Optional,need battery inside).
- 5).Auto set APN.
- 6).Voltage 6-78V.
- 7).Oil-cut function(Optional).
- 8).ACC alarm(Optional)
- 9).Shock alarm
- 10).GEO-fence

## 2. Specs

- 1) . **GSM:** 850/900/1800/1900MHZ
- 2) . **GPRS:** Class12, TCP/IP
- 3) . **Working Voltage:** 6-78V DC
- 4) . **Working current:**  $\approx 22\text{mA}$  (12VDC)
- 5) . **Working current:**  $\approx 12\text{mA}$  (24VDC)
- 6) . **GPS locating time:** Cold start  $\approx 38\text{s}$  (Open sky)  
  
Warm start  $\approx 32\text{s}$   
  
Hot start  $\approx 2\text{s}$  (Open sky)
- 7) . **GPS Precision:** 10m (2D RM)
- 8) . **Working temperature:**  $-20^{\circ}\text{C} \sim +70^{\circ}\text{C}$
- 9) . **Working humidity:** 20%~80%RH
- 10) . **Measurement:** 78(L) x 26(W) x 15(H) mm

## 4. My Device



## 5. Device status indicators

5.1 Connect DC 6-78V power supply and the red LED will light continuously.

5.2 The yellow LED lights continuously when searching the GPS signals. When GPS works, the LED is flashing.

5.3 The blue LED lights continuously when searching the GSM signals. When GSM works, the LED is flashing.

## 6. Installation

6.1 Preparation before installation

1)Open the packing box to check whether the type of device is correct and whether the accessories are included.

2)This product is a high-tech electronic device, installation should be undertaken by a professional.

3)Please follow the following procedures to install your device.During installation, there should be no power to the device.

6.2 Installing SIM card: each GPS tracker need to insert a GSM SIM card. The SIM card used should be enabled for GPRS.

Please install SIM card before wire connecting.

NOTE:

1.Please use sim card which support GSM 2G network for the tracker is GSM 2G device.

2.please pay attention of the sim card installed direction.

## **6.2 Installation**

The GPS tracker must be installed under professional personnel.

Note:

1) Please install the device in the hidden place as followings:

Under Front windshield;

In the front instrument panel;

Under back windshield;

- 2) Avoid being placed with signal radiators like reverse sensor ;
- 3) The device has GSM antenna and GPS antenna inside. Please ensure the receiving side of the device is face up and without metal cover.

Note: The metal cover will lessen the receiving of GPS signals.

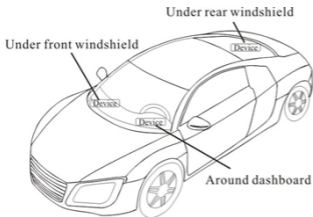
### **6.3 Selecting installation place and fixing it. There are two kinds of installation: covert and non covert.**

If you need the covert installation, please refer installation to an auto electrical contractor.

Note:

- 1) To prevent theft of the device, the device should be installed as covertly as possible.
- 2) Avoid placing the device close to higher power electrical devices, such as reversing radar, anti-theft device or other vehicle communication equipment.
- 3) The GPS tracker should be fixed into position with cable ties or wide double-side tape.
- 4) Your device has built-in GSM antenna and GPS antenna. During

installation, please make sure the receiving side face is up, with no metal object above the device to interfere with GPS reception. The following places are suggested for installation:



- Under the dash board below the front windshield;
- In the parcel shelf in the rear;
- In the front bumper( non-material face), please ensure the device cannot get wet;
- Under the wiper version (non-metal), please ensure the device cannot get wet;

Notice: If the windshield is pasted with metal thermal-protective coating, it may affect the performance of the device. In this case, please change the installation place after consulting the professional.

## 5) Non Covert Installation,

Firstly fix the device on the dash board below windshield.

- In the parcel shelf in the rear;
- In the front bumper( non-material face), please ensure the device cannot get wet;
- Under the wiper version (non-metal), please ensure the device cannot get wet;

Notice: If the windshield is pasted with metal thermal-protective coating, it may affect the performance of the device. In this case, please change the installation place after consulting the professional.

## 7. Device wiring requirements

**7.1** The device power supply is DC 6-78V. The red line is positive pole while the black line is negative pole.

**7.2** The negative pole of power supply connects with ground or the metals. Please do not connect with other ground lines.

**7.3** When finishing the power supply wire connection, please make the plug of power supply to the device.

●.2 Pin wire connection method: The red wire is connected to the positive pole of the power supply, and the black wire is connected to the negative pole of the power supply.

**This connection has no illegal start alarm, no remote power off function.**

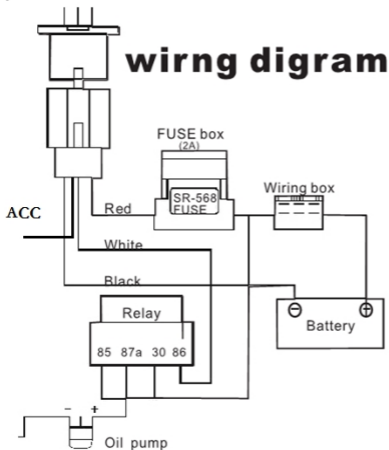
●. 3 Pin wire connection method: The red wire is connected to the positive



pole of the power supply, the black wire is connected to the negative pole of the power supply, and the green wire is connected to the ACC.

**This connection has no remote power off function.**

● 4 Pin wire connection method:



## 8. The Device Working

Put in sim card, connect the wire, the tracker will be working.

## 9. User Setting

## 9.1 SMS Commands instruction

1)Center Number		
Text command	Parameter	Sample
CENTER Add	710#number#	710#13500135000#
	711#number#	711#13800138000#
CENTER Del	D01#	D01#
	D02#	D02#
Command Description	<p>1)Center number can control the oil and power and resume factory settings</p> <p>2) Center number can receive the call and text of vibration alarm and over speeding alarm.</p> <p>3) SIM must display the income call number to control oil and power.</p> <p>4) Only one number can be center number.</p> <p>5) Change center number must resend the command.</p> <p>6)Add new center number by CETNER,A, and delete by</p>	

	CENTER, D
Command	Successful Setting: Add admin account 1 OK!
Feedback	

2) View Administrator Number		
Text command	Parameter	Sample
View	901#	901#
Command	This directive is used to view Device Manager number.	
Description		
Command	Successful Setting: Admin1:	
Feedback	Admin2:	

3) Authorized Number Set		
Text command	Parameter	Sample
Authorized	101# number #	1: 101#13800138000#
Add	102# number #	2: 102#12345678912#

	103# number #	3: 103#12345678912#
Authorized	D11#	D11#
Del	D12#	D12#
	D13#	D13#
Command Description	<p>1) Authorization number for SMS control oil.</p> <p>2) only three numbers to set the authorization number</p> <p>3) change the authorization number needs to delete the previous number</p>	
Command Feedback	<p>Successful Setting: Add Authorization account 1</p> <p>OK!</p>	

#### 4) View Authorized Number

Text command	Parameter	Sample
--------------	-----------	--------

View authorized	C10#	C10#
Command Description	This directive is used to view the equipment authorization number	
Command Feedback	Successful Setting: Authorization 1: Authorization 2: Authorization 3:	

5) APN Setting		
Text command	Parameter	Sample
APN Setting	802#username#pass word]	1: 802#intenet#123#123# 2: 802#internet#
Command Description	APN differs according to the local telecom operators. For example: APN request password, please refer to Sample 1, and Sample 2 for no password.	

Command	Successful Setting: SET APN OK!
Feedback	

6) Set / View Server		
Text command	Parameter	Sample
SERVER Parameter	803#SERVER # port#	803#222. 217. 240. 243#8011#
View <b>SERVER</b>	CIP#	1) CIP#
Command Description	Change the IP and port when move to a new server port: 10~65535 1 is domain and 0 is IP;	
Command Feedback	Successful Setting: set IP OK!	

7) Moving Time Interval		
Text command	Parameter	Sample

TIMEER Parameter setting	730#uploading interval#	730#20#
Command Description	Time scope: 0, 10~60 seconds; 0, no data uploading; 10~60, means time interval; the default value is 15 seconds!	
Command Feedback	Successful Setting; SET TIMER OK!	

<b>8) Static Time Interval</b>		
Text command	Parameter	Sample
STATIC	SUP# time interval#	SUP#5#
Command Description	Timescope: 1~60 minutes; The device has 3D transmission and the default time interval are 5 minutes.	
Command	Successful Setting; SET STATIC TIME OK!	

Feedback	
----------	--

<b>9) Cancel the continuous upload</b>		
Text command	Parameter	Sample
NUP	NUP#	NUP#
Command Description	<p>This command is used to cancel sending data to the platform</p> <p>If need again to restore the upload , you need to send TIMEER Parameter setting.</p>	
Command Feedback	SET OK!	

<b>10) Power-Cut</b>		
Text command	Parameter	Sample
RELAYParameterl	222#	222# cut off oil and power



RELAYParameter2	333#	333# recover oil and power
Command Description	<p>1)RELAY control the start and closeness of the relay</p> <p>2) Only the center number can operate.</p> <p>3) the device only cut off the oil circuit on the condition of the driving speed below 20KM/H or in static state.</p> <p>4)When send the command, the device will reply “please waiting “When the vehicle speed is over 20KM/H, the device will cut off the oil or the power when the speed below 20KM/H.</p>	
Command Feedback	Successful Setting; Fuel cut has already been completed OK!	

<b>11) GMT</b>		
Text command	Parameter	Sample
GMT	801#location, time#	801#E8#
Command	The default time zone is Beijing time. If time zone need	

Description	revised, please operate according to the above command.
Command	Successful Setting; Set time zone ok!
Feedback	

<b>12)Vibration Sensitivity</b>		
Text command	Parameter	Sample
VIBRATION Parameter	123#2#, alarming way#	1) 123#2#3#
Set into vibration alarm time	V123#2#	1) V123#2# 2) V123#1#
Enable vibration alarm	911#	911#
Disable vibration alarm	910#	910#
Command Description	the sensitivity value of the vibration is from	

	<p>1 to 5, 1 is the most sensitive and 5 is the least.</p> <p>Alarming ways: 1, calling 2, texting, 3 calling and texting.</p> <p>Must set the center number and receiving number.</p>
Command Feedback	set vibration alarm level, OK!

13) Speeding		
Text command	Parameter	Sample
SPEEDING	SSA#120# alarming	1)SPEEDING, 120, 3#
Parameter	way#	2)SPEEDING, 120#
Command Description	<p>The speed scope is from 60-220, if the speed is no this scope, the alarm is off.</p> <p>Alarming : 1, calling 2, texting, 3 calling and texting.</p> <p>Must set the center number and receiving number.</p>	
Command	Successful Setting: set speeding alarm, OK!	

Feedback	
----------	--

14) <b>Reset</b>		
Text command	Parameter	Sample
RESET	930#	930#
Command Description	Reset the device	
Command Feedback	Successful Setting; Reset system, ok!	

15) <b>Factory</b>		
Text command	Parameter	Sample
Parameter	940#	940#
Command Description	Restore the factory setting  Only center number can initial this function  Factory setting will recover to the original setting	

Command	Successful Setting: FACTORY OK!
Feedback	

16) Language Setting		
Text command	Parameter	Sample
LANG	LANG1#	LANG1# 1:CHINESE,
Parameter	LANG0#	LANG0#: ENGLISH
Command Description	; When check the location, it will reply the Chinese location in Chinese language setting; while reply the URL link when in English language setting.	
Command Feedback	Successful Setting: SET LANG OK!	

17) Position		
Text command	Parameter	Sample
WHERE	988#	988#

Command Description	Check the longitude and altitude and other information of the device
Command Feedback	Reply with longitude and altitude, speed and IMEL.

18) <b>Google Link</b>		
Text command	Parameter	Sample
WHERE	666#	666#
Command Description	Check the location link of Google map	
Command Feedback	<Datetime:12-07-05 13:21:30> <a href="http://maps.google.com/maps?q=N22.540885,E113.95265">http://maps.google.com/maps?q=N22.540885,E113.95265</a>	

19) <b>Version</b>		
Text command	Parameter	Sample
VERSION	V00#	V00#

Command	
Description	The command is to check the software version
Command	VERSION:xxxx
Feedback	BUILD:2012-07-05 10:12

20) Param Check		
Text command	Parameter	Sample
PARAM	886#	886#
Command	The command is to check the settings and the default	
Description	parameter.	
Command	IMEI:351190012535936	
	APN : cmnet	
Command	IP:IP and port	
Feedback	TIMER: moving uploading interval	
	STATIC: static uploading interval	
	CENTER: center number	

	LANG: language (CN/EN)  GMT: time zone (E/W8)
--	---

21) Status Check		
Text command	Parameter	Sample
STATUS	902#	902#
Command Description	The command is designed for checking the device' s working status.	
Command Feedback	External power:ON/OFF  GSM Signal:HIGH/MIDDLE/LOW  GPS:FIXED/UNFIXED  RELAYER:DISABLE/ENABLE  Vibrate Warning:ON/OFF  Pause:ON/OFF	

## 10. Trouble shooting

**10.1** The device is not online or offline on the web platform.



**10.1.1** First, please check the three LED working state. If possible. You can call the device' s number to check.

- If not connected, the device is out of signal. If the GSM signals cannot reach your location, please drive to the open sky.
- If reminding the device SIM card is out of deposit, please make deposit by the telecom operator.
- If you can connect to the device when calling, the SIM card has deposited and please check with your operator for GPRS function. You also can check by searching the internet on your mobile phone.
- If reminding the device is power off, please turn back the device and proceed as followings:
  - a)Check if the red LED is in constant glow. If the LED is dark, please check the power connecting. If fuse is broken, please return the device to the seller.
  - b)If the blue GSM LED is not in constant glow, please check the installation of SIM card.

**10.1.2** Please check the offline area in order to judge if the network problem of operators.

**10.2** When GPS cannot receive the signals, please drive in the open sky and ensure there is no metal thins on the device.

**10.3** When the device cannot receive the GSM signal, please check the SIM card installation. If the GSM signals cannot reach your location (such as the basement), please drive to the open sky.

**10.4** The red LED is not glow when power on. Check the fuse of the power line. If the fuse is fused, please change the fuse with the seller.